

9/5/2023 4:45 PM
z:\projects\tubelite, inc\cc-23-0824 - fbc submittal - 2023 code change\dwgs\11012.wz3\11012.2021-04-19.dwg

TUBELITE, INC.

SERIES E34000/T34000 STOREFRONT (WZ3)(IMPACT)



3056 WALKER RIDGE DRIVE N.W.
WALKER, MICHIGAN 49544
PH: 800 866 2227 FX: 616 301 0008

GENERAL NOTES:

1. THE PRODUCT SHOWN HEREIN IS DESIGNED AND MANUFACTURED TO COMPLY WITH THE CURRENT FLORIDA BUILDING CODE (FBC), **EXCLUDING** HVHZ AND HAS BEEN EVALUATED ACCORDING TO THE FOLLOWING:
 - TAS 201-94
 - TAS 202-94
 - TAS 203-94
 - ASTM E1996-17
 - ASTM E1886-19
 - ASTM E283-04(12)
 - ASTM E331-00(09)
 - ASTM E330-14
 - AAMA 501-15
2. ADEQUACY OF THE EXISTING STRUCTURAL CONCRETE/MASONRY, 2X FRAMING AND METAL STUD FRAMING AS A MAIN WIND FORCE RESISTING SYSTEM CAPABLE OF WITHSTANDING AND TRANSFERRING APPLIED PRODUCT LOADS TO THE FOUNDATION IS THE RESPONSIBILITY OF THE ENGINEER OR ARCHITECT OF RECORD FOR THE PROJECT OF INSTALLATION.
3. 1X AND 2X BUCKS (WHEN USED) SHALL BE DESIGNED AND ANCHORED TO PROPERLY TRANSFER ALL LOADS TO THE STRUCTURE. BUCK DESIGN AND INSTALLATION IS THE RESPONSIBILITY OF THE ENGINEER OR ARCHITECT OF RECORD FOR THE PROJECT OF INSTALLATION.
4. THE INSTALLATION DETAILS DESCRIBED HEREIN ARE GENERIC AND MAY NOT REFLECT ACTUAL CONDITIONS FOR A SPECIFIC SITE. IF SITE CONDITIONS CAUSE INSTALLATION TO DEVIATE FROM THE REQUIREMENTS DETAILED HEREIN, A LICENSED ENGINEER OR ARCHITECT SHALL PREPARE SITE SPECIFIC DOCUMENTS FOR USE WITH THIS DOCUMENT.
5. APPROVED IMPACT PROTECTIVE SYSTEM **IS NOT REQUIRED** ON THIS PRODUCT IN AREAS REQUIRING IMPACT RESISTANCE IN WIND ZONE 3 OR LESS.
6. APPROVED IMPACT PROTECTIVE SYSTEM **IS REQUIRED** ON THIS PRODUCT IN WIND ZONE 4.
7. FRAME MATERIAL: ALUMINUM 6063-T5 & ALUMINUM 6063-T6
8. ALL STRUCTURAL MATERIALS & DISSIMILAR METALS SHALL BE PROTECTED, TREATED, PAINTED, COATED, AND/OR ISOLATED AS REQUIRED IN THE APPLICABLE SECTIONS OF THE CURRENT FLORIDA BUILDING CODE AND REFERENCED DESIGN SPECIFICATIONS.
9. GLASS MEETS THE REQUIREMENTS OF ASTM E 1300 GLASS CHARTS. SEE SHEET 3 FOR GLAZING DETAILS.
10. GLASS SHALL BE SET WITH THE USE OF SETTING BLOCKS IN ACCORDANCE WITH CHAPTER 24 OF THE CURRENT FLORIDA BUILDING CODE.
11. GLAZING GASKETS MEETS THE MINIMUM PERFORMANCE REQUIREMENTS AS APPLICABLE IN CHAPTER 24 OF THE FLORIDA BUILDING CODE.

TABLE OF CONTENTS	
SHEET	SHEET DESCRIPTION
1	GENERAL NOTES & TABLE OF CONTENTS
2	ELEVATIONS AND ANCHORS LAYOUT
3	GLAZING DETAILS AND DESIGN PRESSURE TABLE
4	E34000 VERTICAL SECTIONS
5	E34000 HORIZONTAL SECTIONS
6	T34000 VERTICAL & HORIZONTAL SECTIONS
7	MULLION CAPACITY CHART
8	ANCHOR SCHEDULE AND INSTALLATION NOTES
9	ANCHOR CAPACITY CHART
10	INTERMEDIATE MULLION/JAMB ANCHOR CONFIGURATIONS

MISSILE IMPACT RATING	DESIGN PRESSURE
LARGE MISSILE IMPACT RATED	SEE SHEETS 3, 7, AND 9 FOR DESIGN PRESSURE LIMITATIONS. THE LOWEST APPLICABLE VALUE SHALL BE APPLIED TO THE ENTIRE SYSTEM.

TITLE: SERIES E34000/T34000 STOREFRONT (WZ3)(IMPACT)

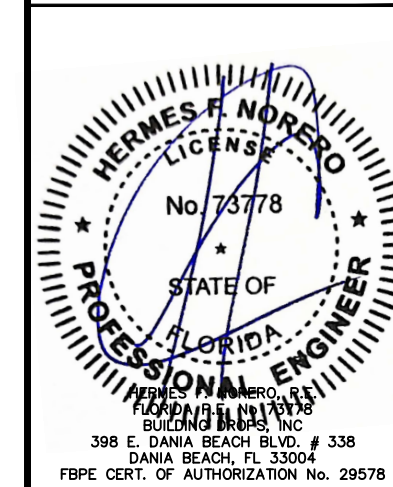
GENERAL NOTES & TABLE OF CONTENTS

PREPARED BY: BUILDING DROPS, INC.

398 E. DANIA BEACH BLVD., STE. 338
 DANIA BEACH, FL 33004
 PH: (954) 399-8478
 FAX: (954) 744-4738
 WEB: www.buildingdrops.com

REMARKS	BY	DATE
FBC 2023 REVISION	FB	08/25/23

THE INSTALLATION DETAILS DESCRIBED HEREIN ARE GENERIC AND MAY NOT REFLECT ACTUAL CONDITIONS FOR A SPECIFIC SITE. IF SITE CONDITIONS CAUSE INSTALLATION TO DEVIATE FROM THE REQUIREMENTS DETAILED HEREIN, A LICENSED ENGINEER OR ARCHITECT SHALL PREPARE SITE SPECIFIC DOCUMENTS FOR USE WITH THIS DOCUMENT



FL #:

FL17192

DATE: **02/24/2021**

DWG. BY: LL	CHK. BY: HFN
--------------------	---------------------

SCALE: **NTS**

DWG. #: **TLI012**

SECTION

1

OF 10

9/5/2023 4:46 PM
z:\projects\tubelite, inc\cc-23-0824 - fbc submittal - 2023 code change\dwg\17192\w3\11012 2021-04-19.dwg

TUBELITE
DEPENDABLE
LEADERS IN ECO-EFFICIENT STOREFRONT,
CURTAINWALL AND ENTRANCE SYSTEMS

3056 WALKER RIDGE DRIVE N.W.
WALKER, MICHIGAN 49544
PH: 800 866 2227 FX: 616 301 0008

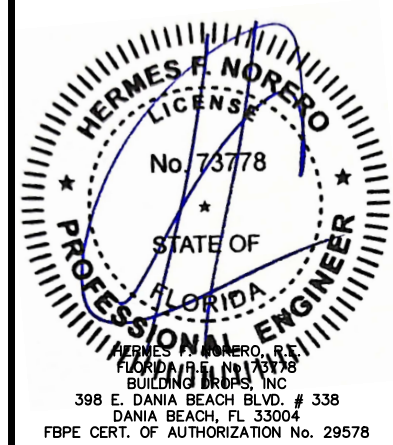
TITLE: **SERIES E34000/T34000**
STOREFRONT
(WZ3)(IMPACT)
ELEVATIONS AND ANCHOR LAYOUT

PREPARED BY:
BUILDING DROPS, INC.
398 E. DANIA BEACH BLVD., STE. 338
DANIA BEACH, FL 33004
PH: (954) 399-8478
FAX: (954) 744-4738
WEB: www.buildingdrops.com



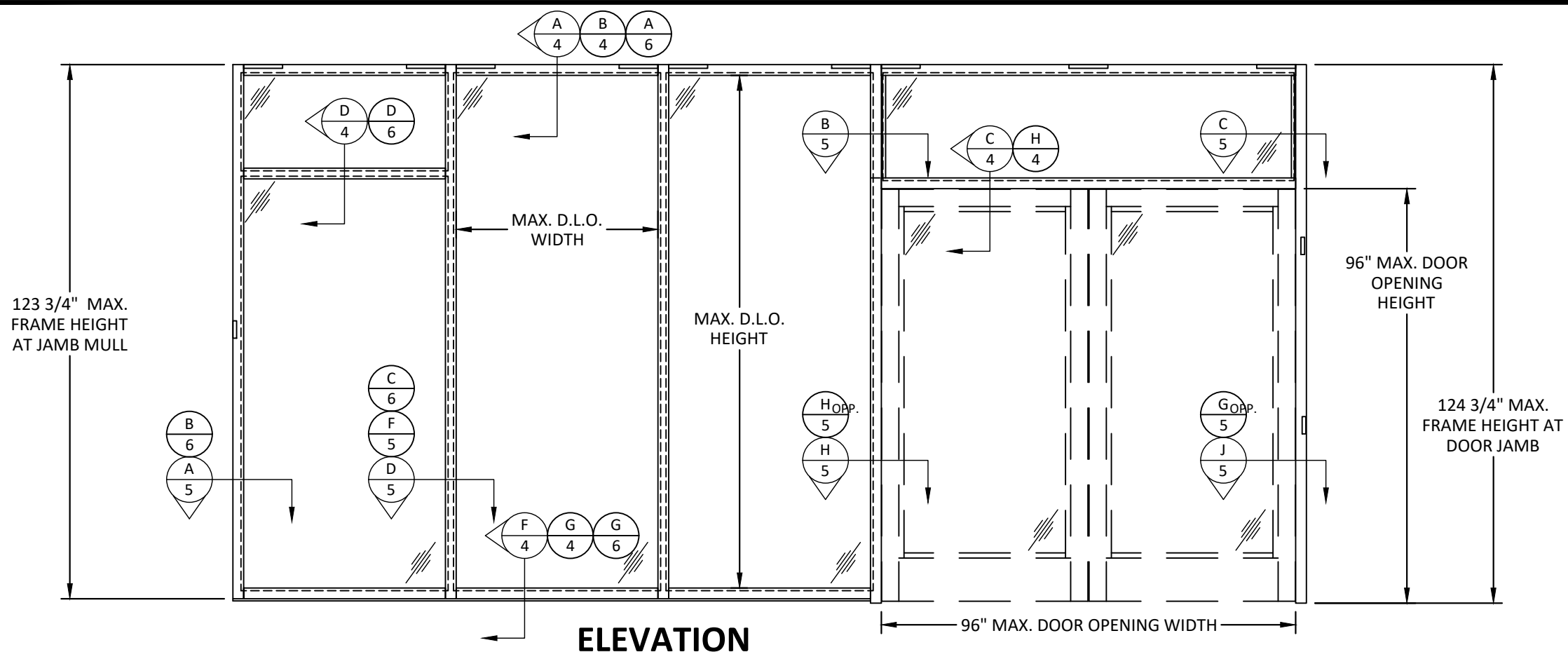
REMARKS	BY	DATE
FBC 2023 REVISION	FB	08/25/23

THE INSTALLATION DETAILS DESCRIBED HEREIN ARE GENERIC AND MAY NOT REFLECT ACTUAL CONDITIONS FOR A SPECIFIC SITE. IF SITE CONDITIONS CAUSE INSTALLATION TO DEVIATE FROM THE REQUIREMENTS DETAILED HEREIN, A LICENSED ENGINEER OR ARCHITECT SHALL PREPARE SITE SPECIFIC DOCUMENTS FOR USE WITH THIS DOCUMENT



FL #: **FL17192**
DATE: **02/24/2021**
DWG. BY: **LL** CHK. BY: **HFN**
SCALE: **NTS**
DWG. #: **TLI012**

SECTION
2
OF 10



ELEVATION

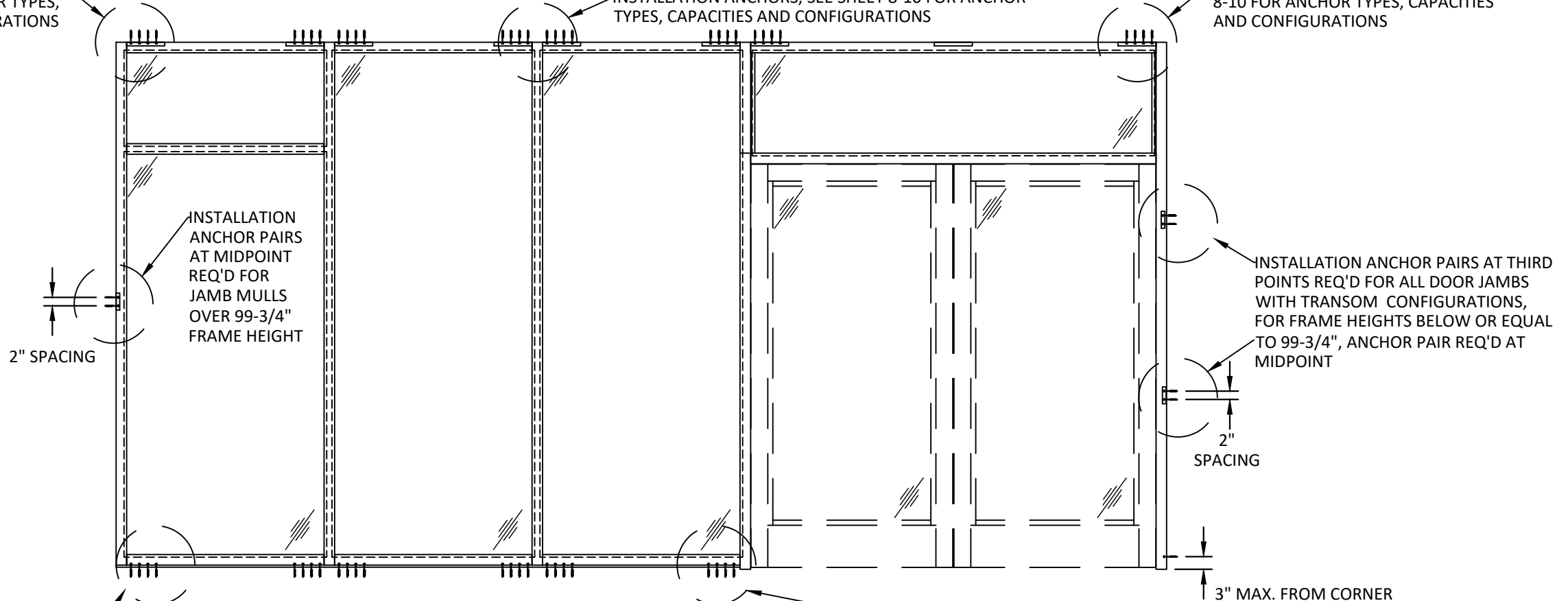
E34000/T34000 STOREFRONT WITH DOOR AND TRANSOM

INSTALLATION ANCHORS, SEE SHEET 8-10 FOR ANCHOR TYPES, CAPACITIES AND CONFIGURATIONS

INSTALLATION ANCHORS, SEE SHEET 8-10 FOR ANCHOR TYPES, CAPACITIES AND CONFIGURATIONS

INSTALLATION ANCHORS, SEE SHEET 8-10 FOR ANCHOR TYPES, CAPACITIES AND CONFIGURATIONS

D.L.O. NOTE:
D.L.O HEIGHT AND WIDTH LIMITED BY GLASS TYPE, SEE SHEET 3 FOR ADDITIONAL INFORMATION AND ULD CAPACITY CHART.



ANCHOR LAYOUT

E34000/T34000 STOREFRONT WITH DOOR AND TRANSOM

INSTALLATION ANCHORS, SEE SHEET 8-10 FOR ANCHOR TYPES, CAPACITIES AND CONFIGURATIONS

INSTALLATION ANCHORS, SEE SHEET 8-10 FOR ANCHOR TYPES, CAPACITIES AND CONFIGURATIONS

3" MAX. FROM CORNER

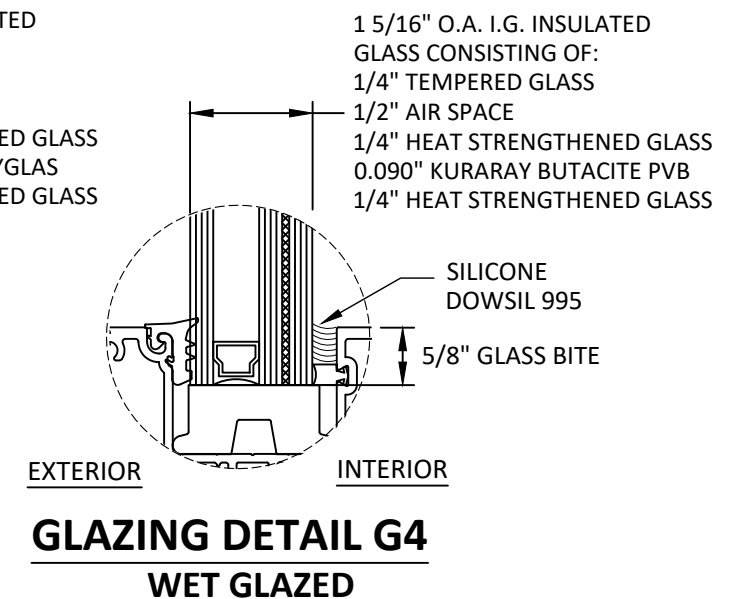
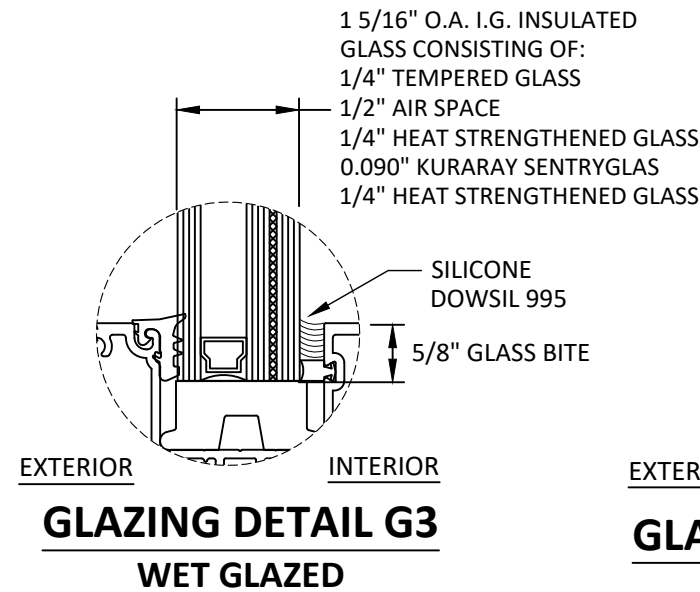
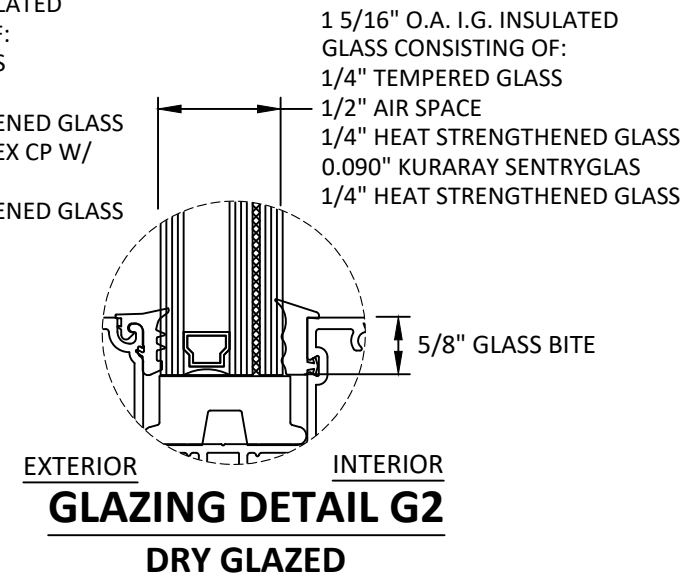
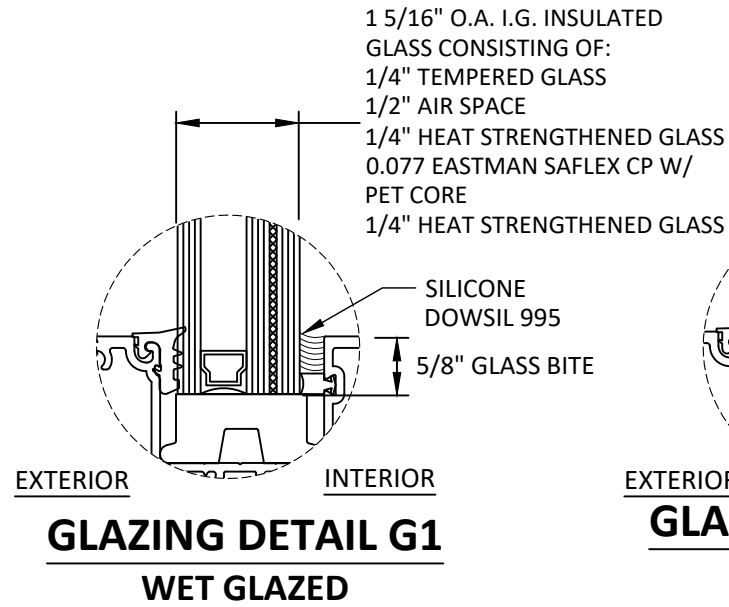
GLAZING DETAILS AND DESIGN PRESSURE TABLE

TUBELITE
DEPENDABLE
LEADERS IN ECO-EFFICIENT STOREFRONT,
CURTAINWALL AND ENTRANCE SYSTEMS

3056 WALKER RIDGE DRIVE N.W.
WALKER, MICHIGAN 49544
PH: 800 866 2227 FX: 616 301 0008

GLASS LOAD CAPACITY (PSF)				
NOMINAL DIMS.		G2		
DLO WIDTH (in.)	DLO HEIGHT (in.)	G1 & G3	G2	
		EXT. (+) INT. (-)	EXT. (+)	INT. (-)
47	58	70.0	70.0	61.0
	70	70.0	70.0	61.0
	82	70.0	70.0	61.0
	94	70.0	70.0	61.0
	106	70.0	70.0	61.0
	118.75	70.0	70.0	61.0
49	58	66.8	66.8	58.2
	70	66.8	66.8	58.2
	82	66.8	66.8	58.2
	94	66.8	66.8	58.2
	106	66.8	66.8	58.2
52	58	62.9	62.9	54.8
	70	62.9	62.9	54.8
	82	62.9	62.9	54.8
	94	62.9	62.9	54.8
	106	62.9	62.9	54.8
55	58	59.5	59.5	51.9
	70	59.5	59.5	51.9
	82	59.5	59.5	51.9
	94	59.5	59.5	51.9
58	58	56.4	56.4	49.2
	70	56.4	56.4	49.2
	82	56.4	56.4	49.2
	94	56.4	56.4	49.2
61	58	56.4	56.4	49.2
	70	53.6	53.6	46.8
64	58	56.4	56.4	49.2
	70	51.1	51.1	44.6

GLASS LOAD CAPACITY (PSF)		
NOMINAL DIMS.		G4
DLO WIDTH (in.)	DLO HEIGHT (in.)	EXT. (+) INT. (-)
		47
46	70.0	
58	70.0	
70	70.0	
82	70.0	
92.50	70.0	
49	34	70.0
	46	70.0
	58	66.8
	70	66.8
	82	66.8
52	34	70.0
	46	70.0
	58	62.9
	70	62.9
	82	62.9
55	34	70.0
	46	70.0
	58	59.5
	70	59.5
58	34	70.0
	46	70.0
	58	56.4
	70	56.4
61	34	70.0
	46	70.0
	58	56.4
64	34	70.0
	46	70.0



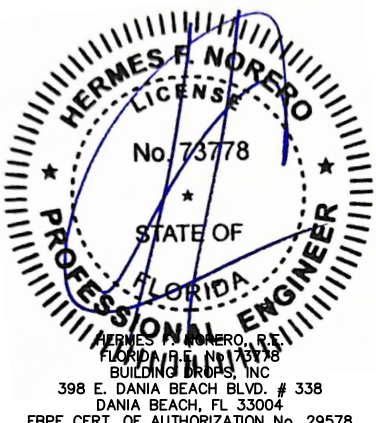
- GLAZING NOTES:
- GLASS TYPE COMPLIES WITH ASTM E1300 REQUIREMENTS AS WELL AS APPLICABLE SAFETY GLAZING REQUIREMENTS PER THE FBC. TEMPER AND SAFETY GLAZING REQUIREMENTS SHALL BE REVIEWED ON A SITE SPECIFIC BASIS.
 - SETTING BLOCK DUROMETER HARDNESS OF 70-90 (SHORE A) AS REFERENCED IN FBC CHAPTER 24.
 - TWO APPROVED SETTING BLOCKS SHALL BE USED FOR GLASS WIDER THAN 36" AS PER FBC CHAPTER 24.
 - D.L.O. AND DESIGN PRESSURES MAY NOT EXCEED MAX VALUES IN SIZE CHARTS.

TITLE: SERIES E34000/T34000
STOREFRONT (WZ3)(IMPACT)
GLAZING DETAILS AND DESIGN PRESSURE TABLE

PREPARED BY:
BUILDING DROPS, INC.
398 E. DANIA BEACH BLVD., STE. 338
DANIA BEACH, FL 33004
PH: (954) 399-8478
FAX: (954) 744-4738
WEB: www.buildingdrops.com

REMARKS	BY	DATE
FBC 2023 REVISION	FB	08/25/23

THE INSTALLATION DETAILS DESCRIBED HEREIN ARE GENERIC AND MAY NOT REFLECT ACTUAL CONDITIONS FOR A SPECIFIC SITE. IF SITE CONDITIONS CAUSE INSTALLATION TO DEVIATE FROM THE REQUIREMENTS DETAILED HEREIN, A LICENSED ENGINEER OR ARCHITECT SHALL PREPARE SITE SPECIFIC DOCUMENTS FOR USE WITH THIS DOCUMENT



FL #: **FL17192**

DATE: **02/24/2021**

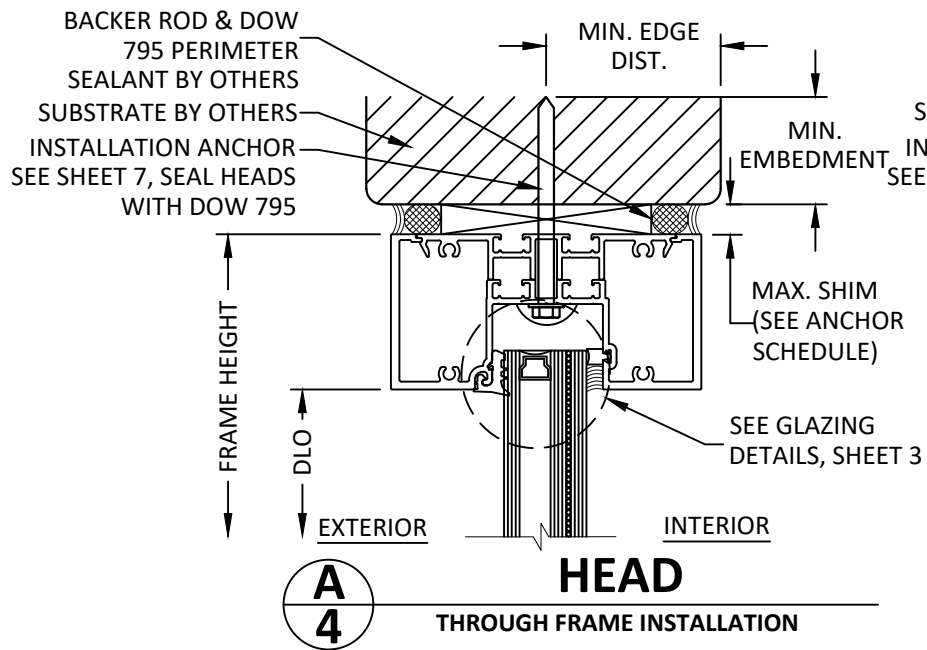
DWG. BY: **LL** CHK. BY: **HFN**

SCALE: **NTS**

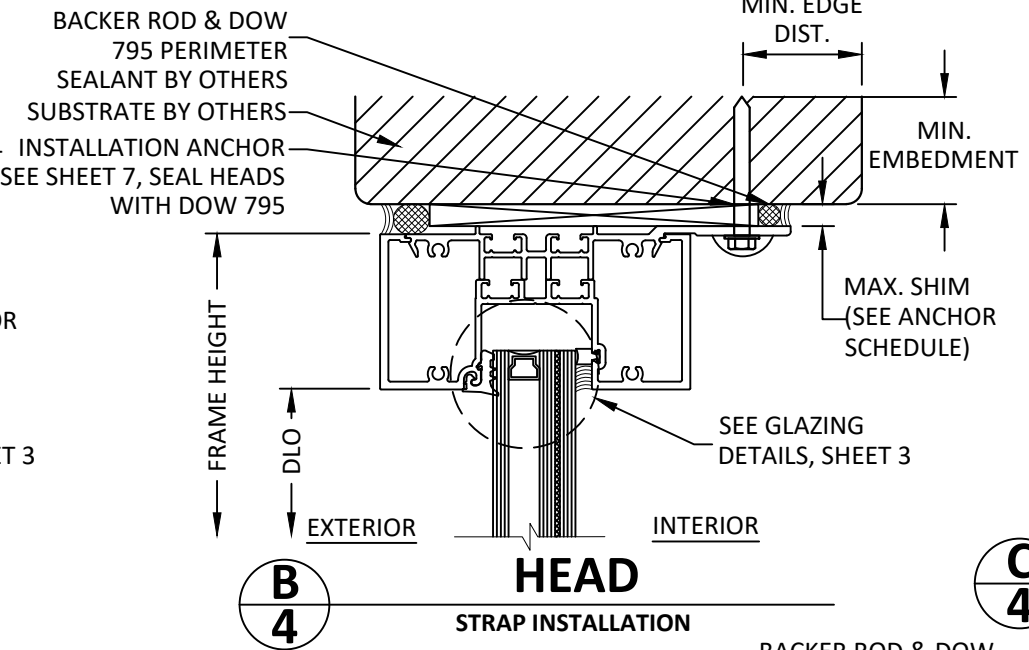
DWG. #: **TLI012**

SECTION **3** OF 10

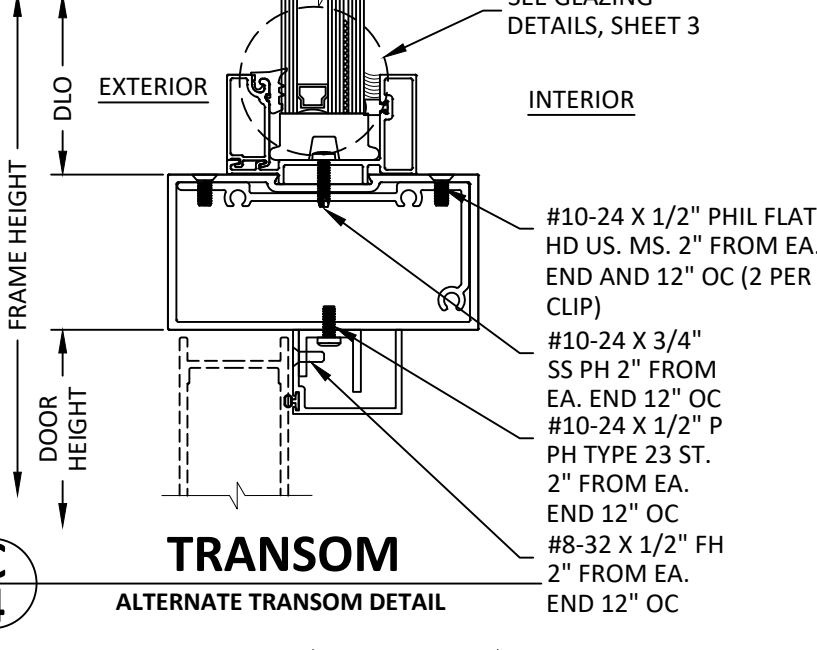
9/5/2023 4:45 PM
z:\projects\tubelite, inc\cc-23-0824 - fbc submittal - 2023 code change\dwgs\117192\wz3\11012_2021_04-19.dwg



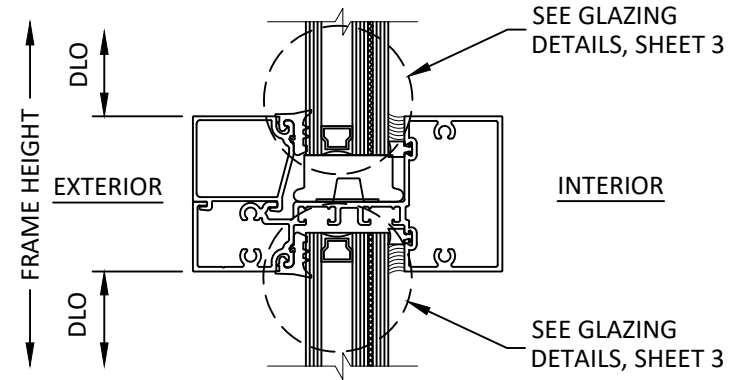
A
4
HEAD
THROUGH FRAME INSTALLATION



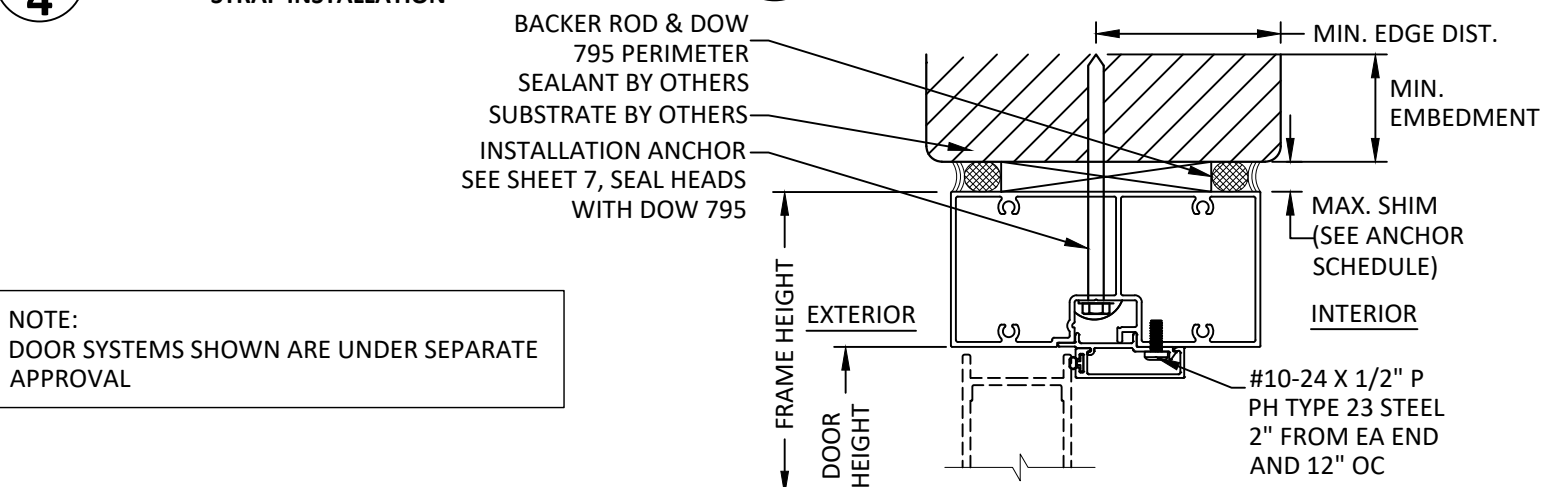
B
4
HEAD
STRAP INSTALLATION



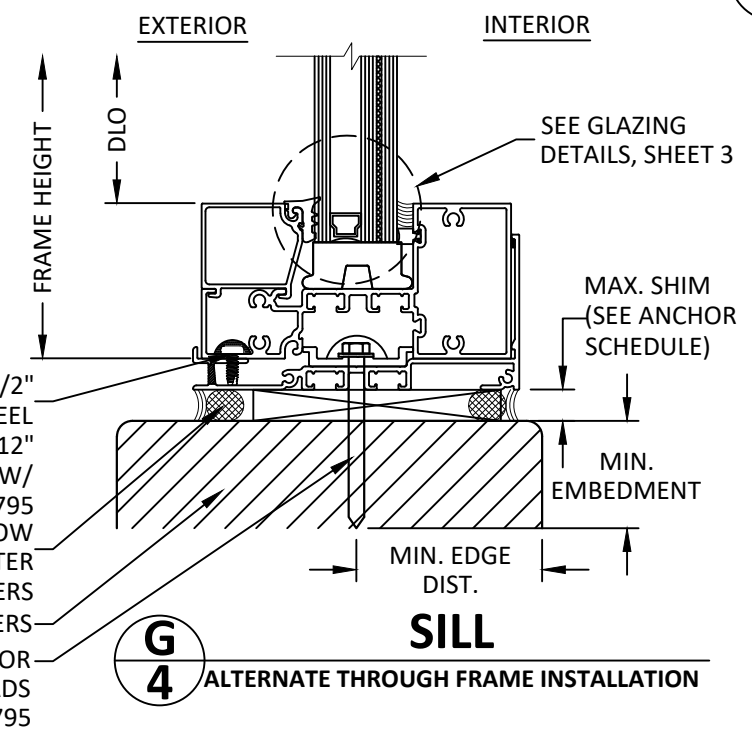
C
4
TRANSOM
ALTERNATE TRANSOM DETAIL



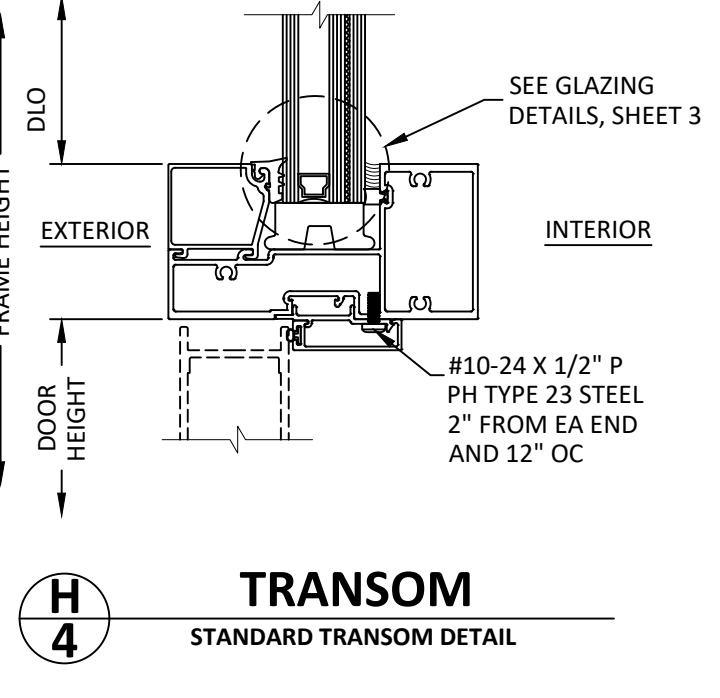
D
4
HORIZ. MULLION



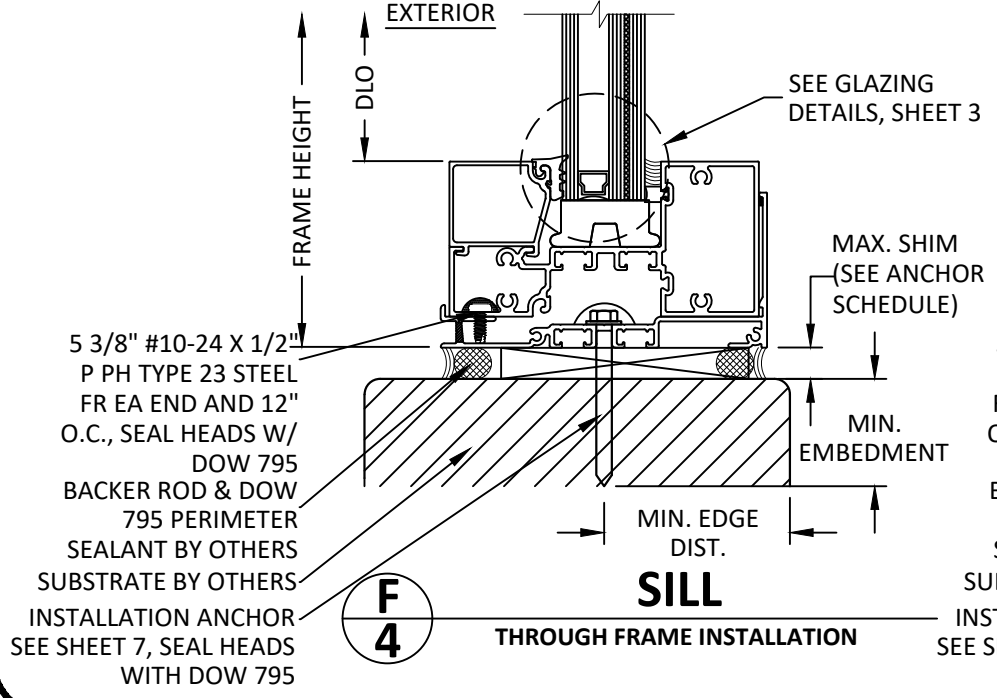
E
4
DOOR HEAD
THROUGH FRAME INSTALLATION



G
4
SILL
ALTERNATE THROUGH FRAME INSTALLATION



H
4
TRANSOM
STANDARD TRANSOM DETAIL



F
4
SILL
THROUGH FRAME INSTALLATION

NOTE:
DOOR SYSTEMS SHOWN ARE UNDER SEPARATE APPROVAL

TUBELITE®

DEPENDABLE
LEADERS IN ECO-EFFICIENT STOREFRONT, CURTAINWALL AND ENTRANCE SYSTEMS

3056 WALKER RIDGE DRIVE N.W.
WALKER, MICHIGAN 49544
PH: 800 866 2227 FX: 616 301 0008

TITLE: **SERIES E34000/T34000 STOREFRONT (WZ3)(IMPACT)**
E34000 VERTICAL SECTIONS

PREPARED BY: **BUILDING DROPS, INC.**
398 E. DANIA BEACH BLVD., STE. 338
DANIA BEACH, FL 33004
PH: (954) 399-8478
FAX: (954) 744-4738
WEB: www.buildingdrops.com

BUILDING DROPS

REMARKS	BY	DATE
FBC 2023 REVISION	FB	08/25/23

THE INSTALLATION DETAILS DESCRIBED HEREIN ARE GENERIC AND MAY NOT REFLECT ACTUAL CONDITIONS FOR A SPECIFIC SITE. IF SITE CONDITIONS CAUSE INSTALLATION TO DEVIATE FROM THE REQUIREMENTS DETAILED HEREIN, A LICENSED ENGINEER OR ARCHITECT SHALL PREPARE SITE SPECIFIC DOCUMENTS FOR USE WITH THIS DOCUMENT

HERMES F. NORERO
LICENSE No. 73778
STATE OF FLORIDA
PROFESSIONAL ENGINEER
HERMES F. NORERO, P.E.
FLORIDA LICENSE NO. 73778
BUILDING DROPS, INC.
398 E. DANIA BEACH BLVD. # 338
DANIA BEACH, FL 33004
FBPE CERT. OF AUTHORIZATION No. 29578

FL #: **FL17192**

DATE: **02/24/2021**

DWG. BY: LL	CHK. BY: HFN
-----------------------	------------------------

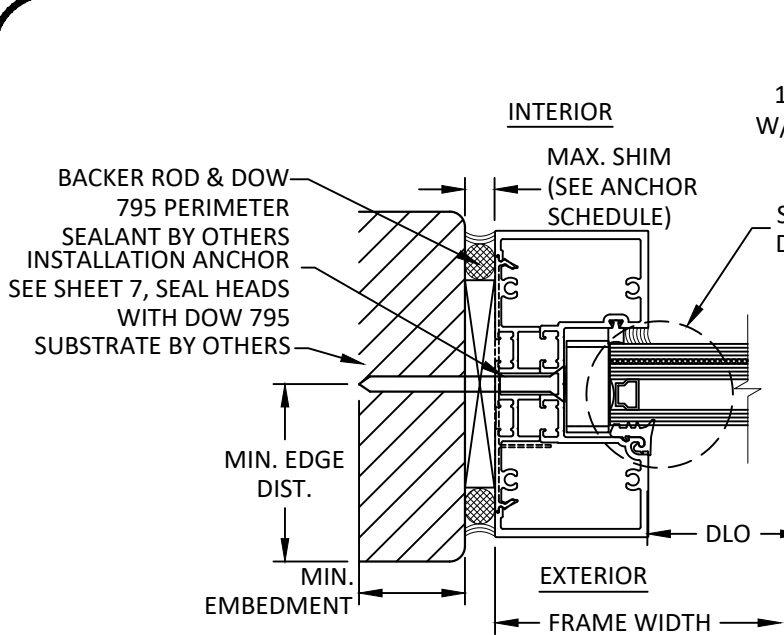
SCALE: **NTS**

DWG. #: **TLI012**

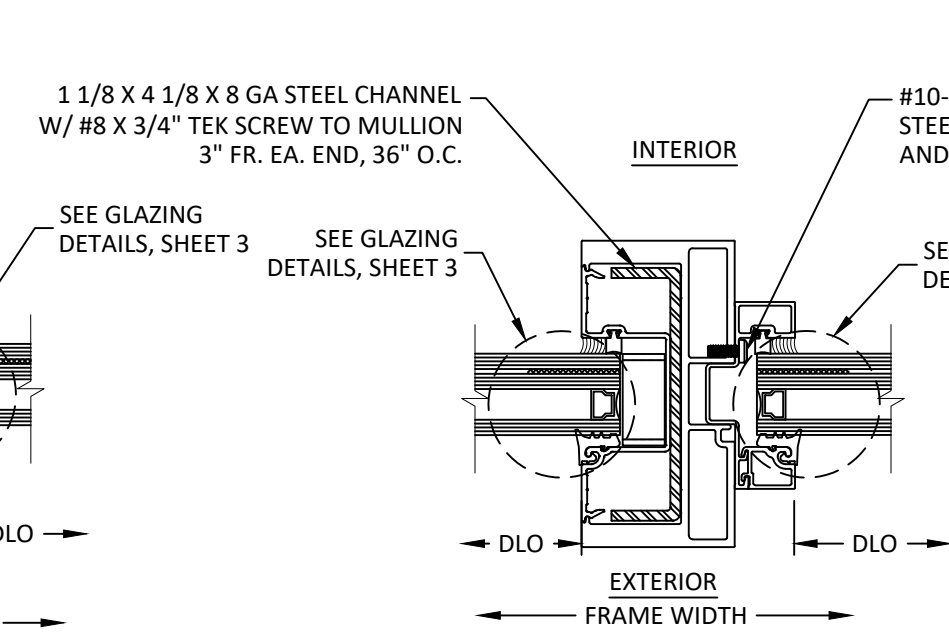
SECTION **4**

OF 10

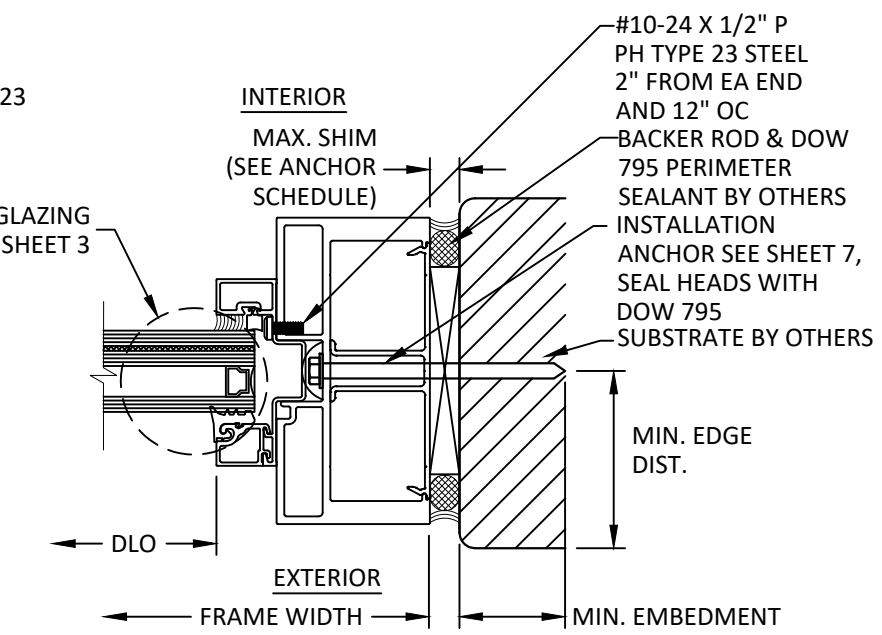
9/5/2023 4:47 PM
z:\projects\tubelite, inc\cc-23-0824 - fbc submittal - 2023 code change\dwg\17192\wz3\11012_2021-04-19.dwg



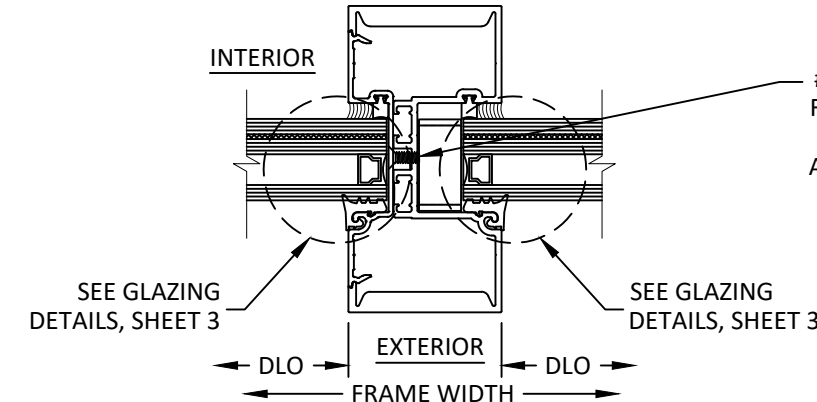
A
5
JAMB
THROUGH FRAME INSTALLATION



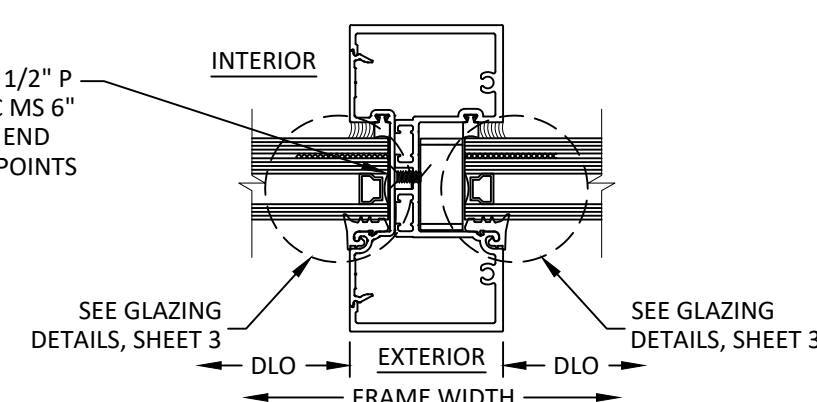
B
5
DOOR MULLION
@ TRANSOM DETAIL



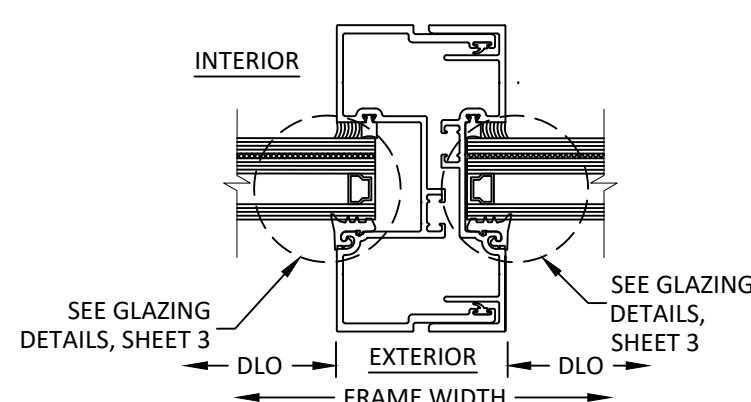
C
5
DOOR JAMB
@ TRANSOM DETAIL
THROUGH FRAME INSTALLATION



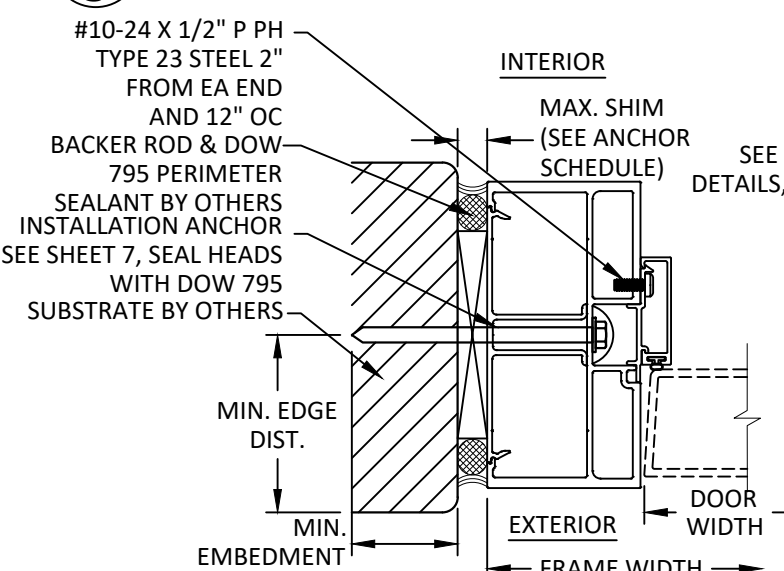
D
5
VERTICAL MULLION



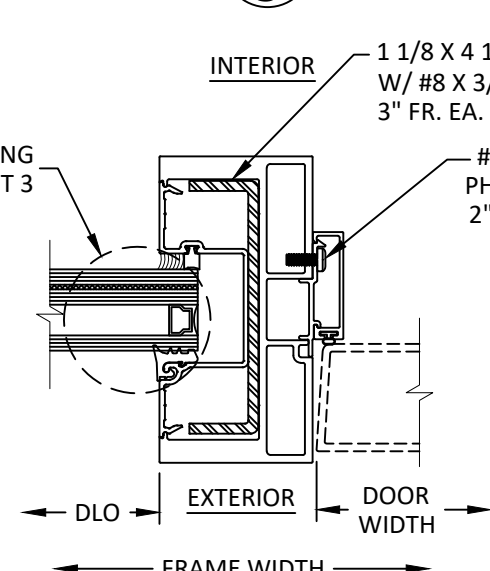
E
5
VERTICAL MULLION



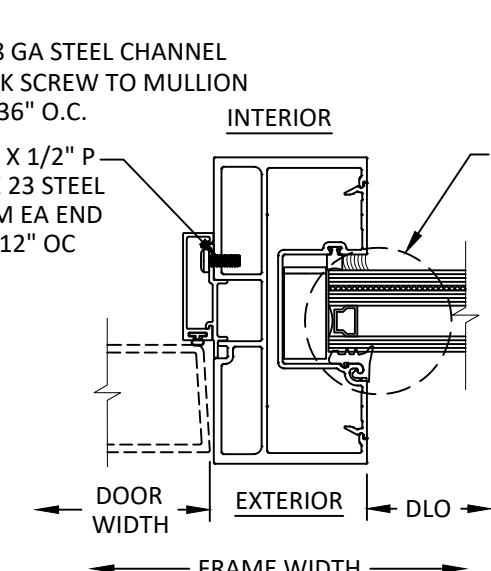
F
5
VERTICAL MULLION



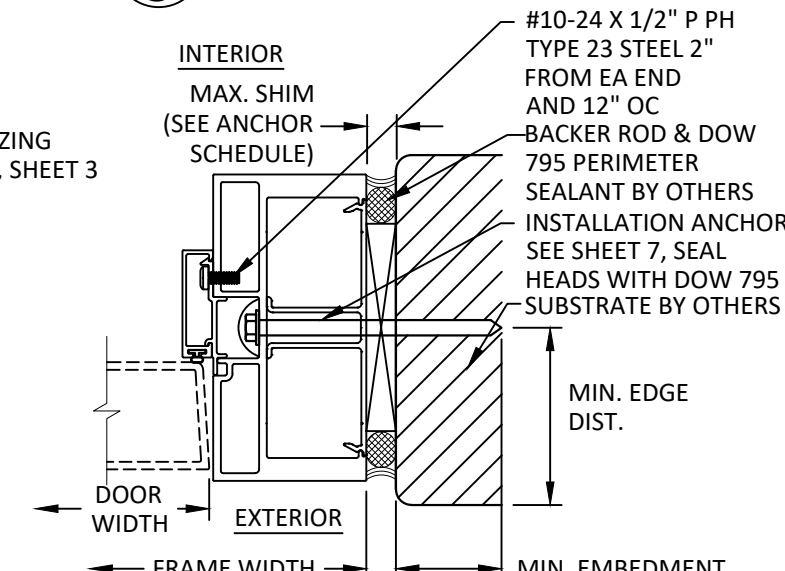
G
5
DOOR JAMB
THROUGH FRAME INSTALLATION



H
5
DOOR MULLION



I
5
DOOR MULLION



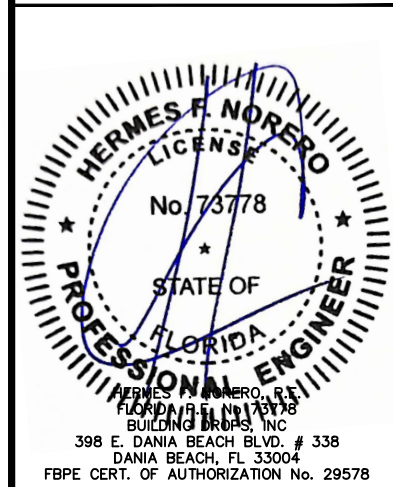
J
5
DOOR JAMB
THROUGH FRAME INSTALLATION

TUBELITE
DEPENDABLE
LEADERS IN ECO-EFFICIENT STOREFRONT,
CURTAINWALL AND ENTRANCE SYSTEMS
3056 WALKER RIDGE DRIVE N.W.
WALKER, MICHIGAN 49544
PH: 800 866 2227 FX: 616 301 0008

TITLE: SERIES E34000/T34000
STOREFRONT
(WZ3)(IMPACT)
E34000 HORIZONTAL SECTIONS
PREPARED BY: BUILDING DROPS, INC.
398 E. DANIA BEACH BLVD., STE. 338
DANIA BEACH, FL 33004
PH: (954) 399-8478
FAX: (954) 744-4738
WEB: www.buildingdrops.com

REMARKS	BY	DATE
FBC 2023 REVISION	FB	08/25/23

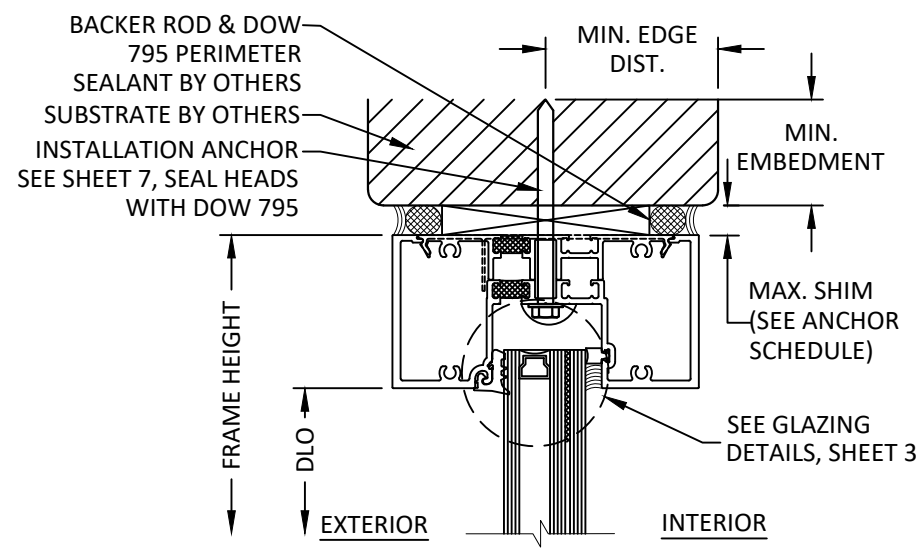
THE INSTALLATION DETAILS DESCRIBED HEREIN ARE GENERIC AND MAY NOT REFLECT ACTUAL CONDITIONS FOR A SPECIFIC SITE. IF SITE CONDITIONS CAUSE INSTALLATION TO DEVIATE FROM THE REQUIREMENTS DETAILED HEREIN, A LICENSED ENGINEER OR ARCHITECT SHALL PREPARE SITE SPECIFIC DOCUMENTS FOR USE WITH THIS DOCUMENT



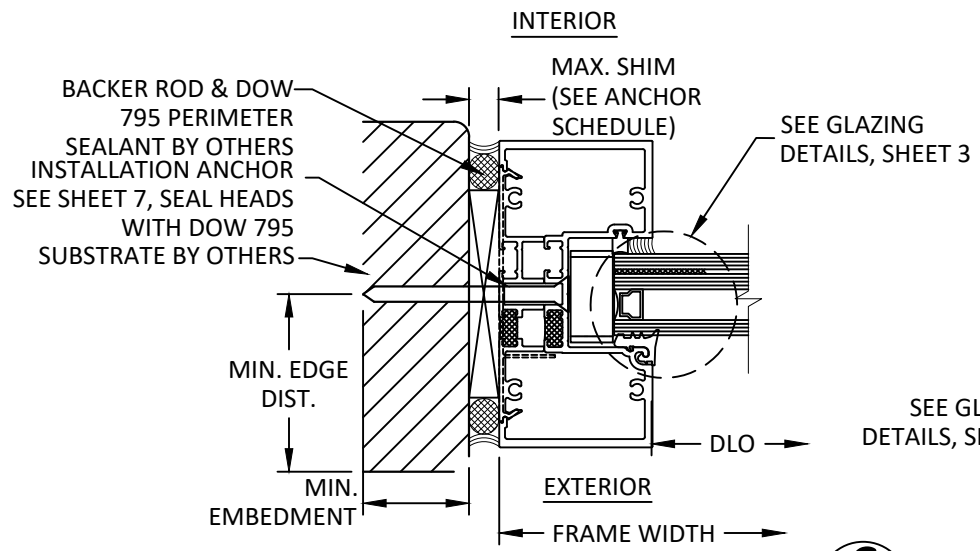
FL #: **FL17192**
DATE: **02/24/2021**
DWG. BY: **LL** CHK. BY: **HFN**
SCALE: **NTS**
DWG. #: **TLI012**

SECTION **5**
OF 10

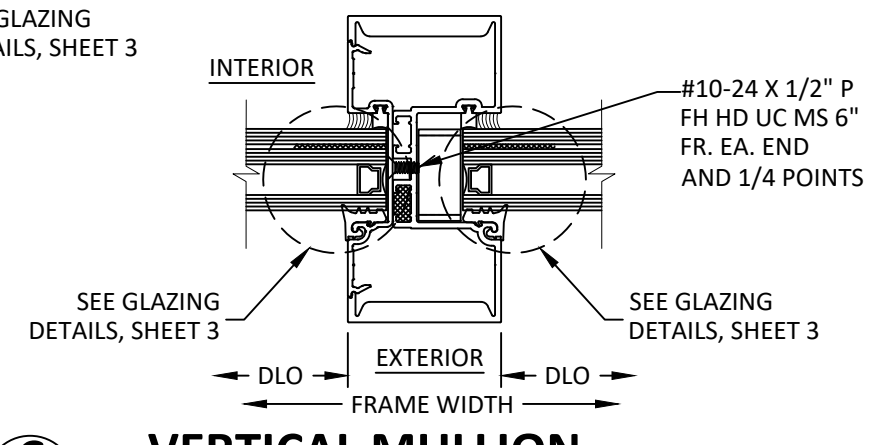
9/5/2023 4:47 PM
z:\projects\tubelite, inc\cc-23-0824 - fbc submittal - 2023 code change\dwg\117192\wz3\11012_2021-04-19.dwg



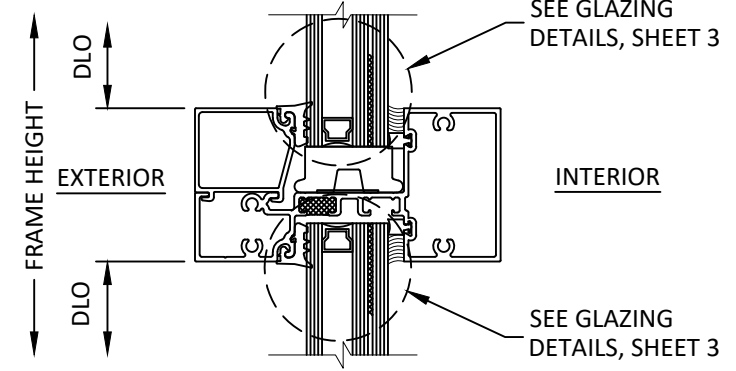
A
6
HEAD
SINGLE POUR
THROUGH FRAME INSTALLATION



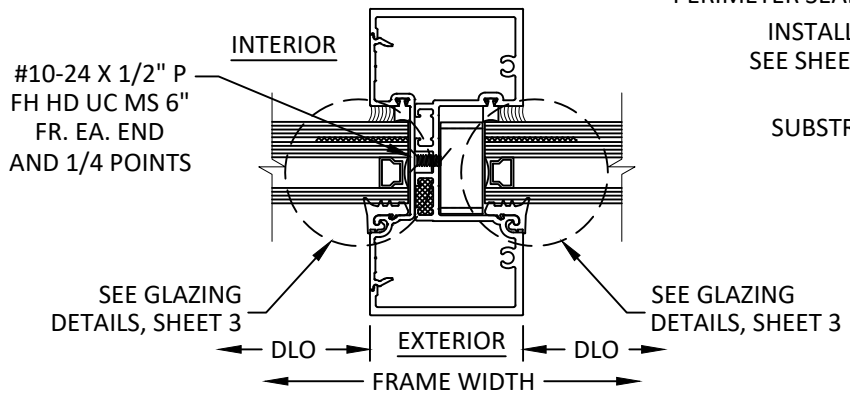
B
6
JAMB
SINGLE POUR
THROUGH FRAME INSTALLATION



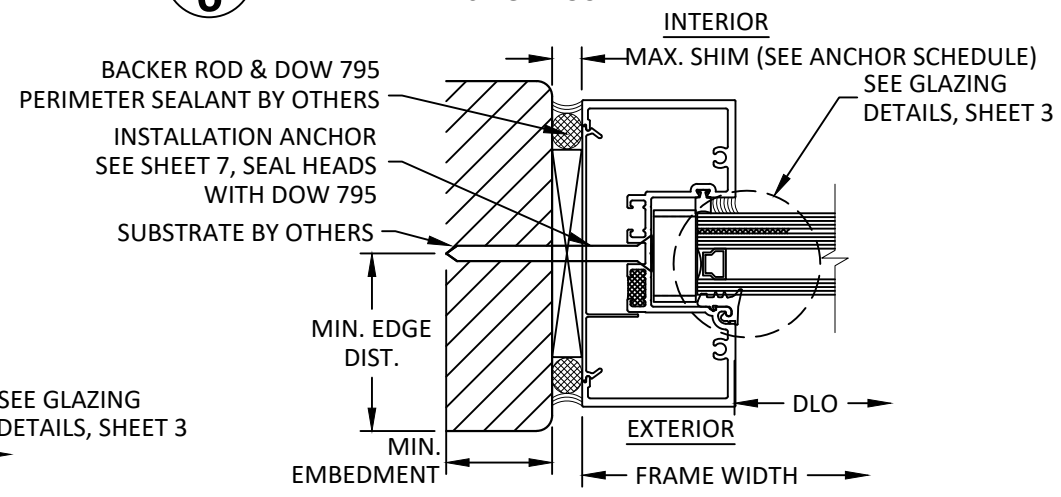
C
6
VERTICAL MULLION
SINGLE POUR



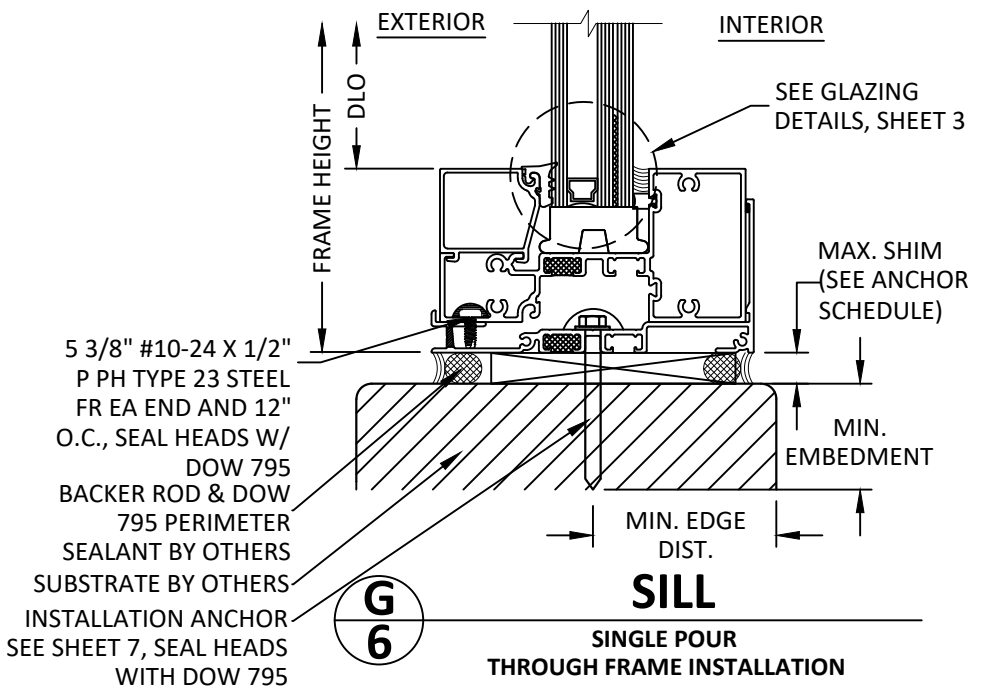
D
6
HORIZ. MULLION
SINGLE POUR



E
6
VERTICAL MULLION
SINGLE POUR



F
6
JAMB
SINGLE POUR
THROUGH FRAME INSTALLATION



G
6
SILL
SINGLE POUR
THROUGH FRAME INSTALLATION

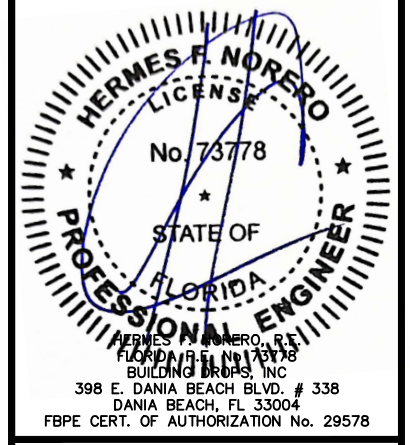
TUBELITE
DEPENDABLE
LEADERS IN ECO-EFFICIENT STOREFRONT,
CURTAINWALL AND ENTRANCE SYSTEMS

3056 WALKER RIDGE DRIVE N.W.
WALKER, MICHIGAN 49544
PH: 800 866 2227 FX: 616 301 0008

TITLE: SERIES E34000/T34000
STOREFRONT
(WZ3)(IMPACT)
T34000 VERTICAL AND HORIZONTAL
SECTIONS
PREPARED BY: BUILDING DROPS, INC.
398 E. DANIA BEACH BLVD., STE. 338
DANIA BEACH, FL 33004
PH: (954) 399-8478
FAX: (954) 744-4738
WEB: www.buildingdrops.com

REMARKS	BY	DATE
FBC 2023 REVISION	FB	08/25/23

THE INSTALLATION DETAILS DESCRIBED HEREIN ARE GENERIC AND MAY NOT REFLECT ACTUAL CONDITIONS FOR A SPECIFIC SITE. IF SITE CONDITIONS CAUSE INSTALLATION TO DEVIATE FROM THE REQUIREMENTS DETAILED HEREIN, A LICENSED ENGINEER OR ARCHITECT SHALL PREPARE SITE SPECIFIC DOCUMENTS FOR USE WITH THIS DOCUMENT



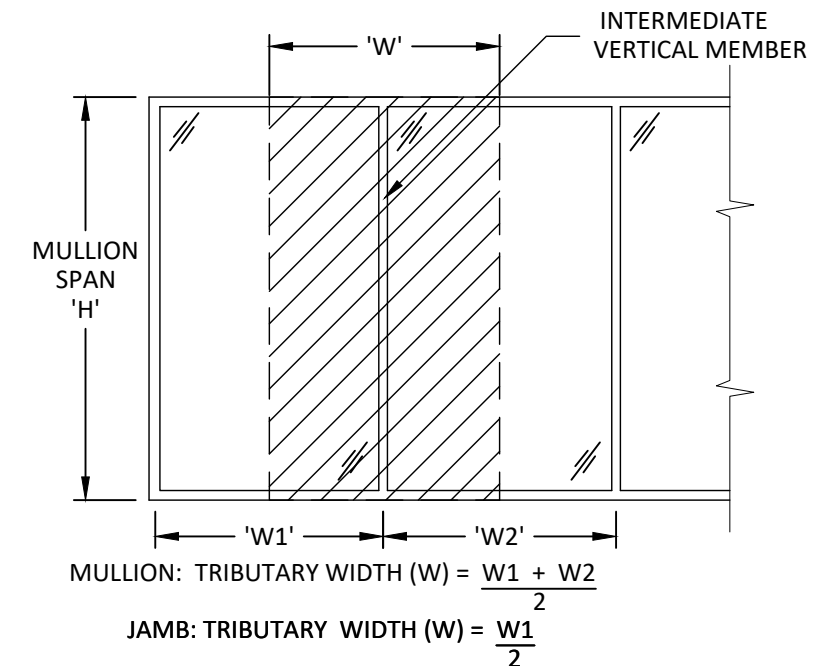
FL #:	FL17192
DATE:	02/24/2021
DWG. BY:	LL
CHK. BY:	HFN
SCALE:	NTS
DWG. #:	TLI012
SECTION	6

MULLION CAPACITY CHART

TUBELITE®
DEPENDABLE
 LEADERS IN ECO-EFFICIENT STOREFRONT,
 CURTAINWALL AND ENTRANCE SYSTEMS

3056 WALKER RIDGE DRIVE N.W.
 WALKER, MICHIGAN 49544
 PH: 800 866 2227 FX: 616 301 0008

DESIGN PRESSURE TABLE: VERTICAL SECTION CAPACITY - SINGLE SPAN										
TRIBUTARY WIDTH 'W' (INCH)	SPAN HEIGHT 'H' (INCH)	MULLION M1 (PSF)	MULLION M2 (PSF)	MULLION M4 (PSF)	MULLION M5 OR M6 (PSF)	MULLION MR5 OR MR6 (PSF)	TRIBUTARY WIDTH 'W' (INCH)	SPAN HEIGHT 'H' (INCH)	MULLION M3, M7 OR M8 (PSF)	
49	87	70.0	+58/-55	70.0	+70/-61	+70/-68	49	63	50.0	
54		70.0	+58/-55	70.0	+70/-61	+70/-68	54		50.0	
57		70.0	+58/-55	70.0	+70/-61	+70/-68	57		50.0	
60		70.0	+58/-55	70.0	+70/-61	+70/-68	60		50.0	
63		70.0	+58/-55	70.0	+70/-61	+70/-68	63		50.0	
66		70.0	+58/-55	70.0	+70/-61	+70/-68	66		50.0	
69		70.0	+58/-55	70.0	+70/-61	+70/-68	69		50.0	
49	99	70.0	+58/-55	70.0	+70/-61	+70/-68	49	75	50.0	
54		70.0	+58/-55	70.0	+70/-61	+70/-68	54		50.0	
57		70.0	+58/-55	70.0	+70/-61	+70/-68	57		50.0	
60		70.0	+58/-55	70.0	+70/-61	+70/-68	60		50.0	
42	87	70.0	+58/-55	70.0	+70/-61	+70/-68	63	87	50.0	
45		70.0	+58/-55	70.0	+70/-61	+70/-68	49		50.0	
48		70.0	+58/-55	70.0	+70/-61	+70/-68	54		50.0	
49		70.0	+58/-55	70.0	+70/-61	+70/-68	49		99.75	50.0
54		70.0	+58/-55	70.0	+70/-61	+70/-68				
36	123.75	70.0	+58/-55	70.0	+70/-61	+70/-68				
39		70.0	+58/-55	70.0	+70/-61	+70/-68				
42		70.0	+58/-55	70.0	+70/-61	+70/-68				
45		68.9	+58/-55	70.0	+70/-61	+70/-68				
48		65.1	+58/-55	70.0	+70/-61	+70/-68				
49		63.7	+58/-55	70.0	+70/-61	+70/-68				

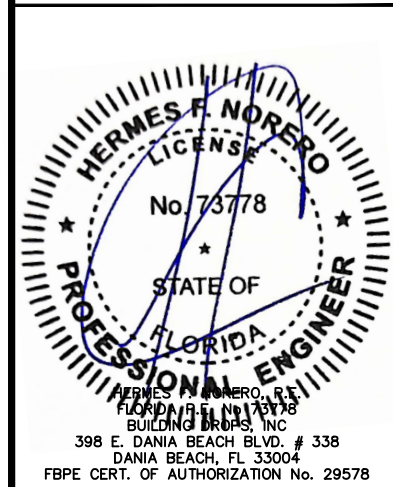


TITLE: SERIES E34000/T34000
 STOREFRONT (WZ3)(IMPACT)
 MULLION CAPACITY CHART

PREPARED BY: BUILDING DROPS, INC.
 398 E. DANIA BEACH BLVD., STE. 338
 DANIA BEACH, FL 33004
 PH: (954) 399-8478
 FAX: (954) 744-4738
 WEB: www.buildingdrops.com

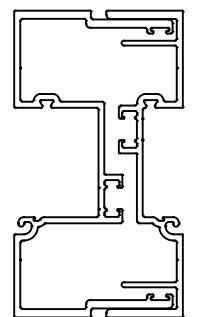
REMARKS	BY	DATE
FBC 2023 REVISION	FB	08/25/23

THE INSTALLATION DETAILS DESCRIBED HEREIN ARE GENERIC AND MAY NOT REFLECT ACTUAL CONDITIONS FOR A SPECIFIC SITE. IF SITE CONDITIONS CAUSE INSTALLATION TO DEVIATE FROM THE REQUIREMENTS DETAILED HEREIN, A LICENSED ENGINEER OR ARCHITECT SHALL PREPARE SITE SPECIFIC DOCUMENTS FOR USE WITH THIS DOCUMENT

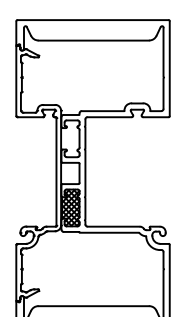


FL #:	FL17192
DATE:	02/24/2021
DWG. BY:	LL
CHK. BY:	HFN
SCALE:	NTS
DWG. #:	TLI012

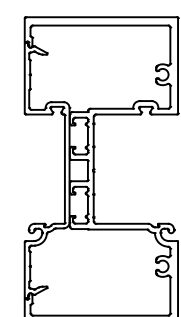
SECTION
7
 OF 10



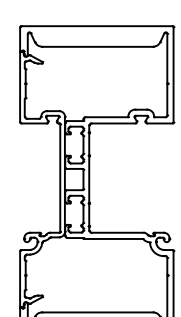
EXPANSION MULLION "M1"



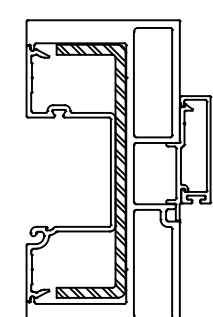
THERMALLY INSULATED HD MULLION "M2"



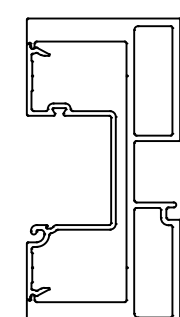
STANDARD MULLION "M3"



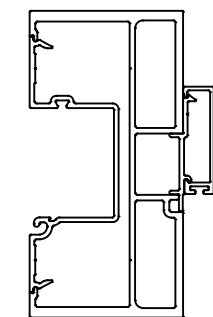
HD MULLION "M4"



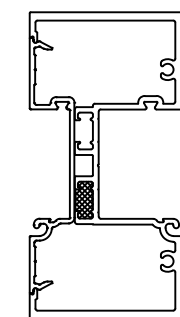
REINFORCED HD DOOR MULLION "MR5" + "MR6"



HD DOOR MULLION "M5" + "M6"



STANDARD DOOR MULLION "M7"



THERMALLY INSULATED STANDARD MULLION "M8"

9/5/2023 4:47 PM
z:\projects\tubelite, inc\cc-23-0824 - fbc submittal - 2023 code change\dwg\17192\w3\11012_2021-04-19.dwg

ANCHOR SCHEDULE					
TYPE	ANCHOR	SUBSTRATE	MIN. EMBEDMENT	MIN. EDGE DISTANCE	MAX. SHIM SPACE
A	#14 WOOD SCREW	2X WOOD MIN. S.G.=0.55	1.50"	1.00"	0.25"
	3/8" LAG SCREW	2X WOOD MIN. S.G.=0.55	1.50"	1.50"	0.125"
B	1/4" DEWALT/ELCO ULTRACON (CARBON STEEL)	3050 PSI CONCRETE MIN.	1.75"	2.50"	0.50"
		GROUT FILLED CMU PER ASTM C-90 W/ MIN. F'C=2000 PSI	1.25"	2.50"	0.50"
	1/4" ITW TAPCON (CARBON OR STAINLESS STEEL)	3000 PSI CONCRETE MIN.	1.75"	2.50"	0.50"
		GROUT FILLED CMU PER ASTM C-90 W/ MIN. F'C=2000 PSI	1.00"	2.50"	0.50"
	1/4" HILTI KWIK-CON II+ (CARBON OR STAINLESS STEEL)	2000 PSI CONCRETE MIN.	1.00"	1.50"	0.50"
		GROUT FILLED CMU PER ASTM C-90 W/ MIN. F'C=2000 PSI	1.00"	1.50"	0.50"
	3/8" DEWALT/POWERS TAPPER (CARBON STEEL)	3000 PSI CONCRETE MIN.	1.25"	2.50"	0.50"
		GROUT FILLED CMU PER ASTM C-90 W/ MIN. F'C=2000 PSI	1.75"	3.00"	0.50"
	3/8" ITW LDT (CARBON STEEL)	3000 PSI CONCRETE MIN.	1.50"	2.50"	0.50"
		GROUT FILLED CMU PER ASTM C-90. MIN. F'C=2000 PSI	1.50"	3.00"	0.50"
3/8" ITW TRUBOLT WEDGE (CARBON STEEL OR SS)	3000 PSI CONCRETE MIN.	1.50"	2.50"	0.50"	
C	1/4" GR. 5 SELF-TAPPING/DRILLING SCREW	MIN. 0.090" 6063-T5 ALUMINUM	3 THREADS*	1.00"	0.50"
		MIN. 18 GA STEEL STUD (0.0478") 33 KSI			
	5/16" GR. 5 SELF-TAPPING/DRILLING SCREW	MIN. 0.090" 6063-T5 ALUMINUM			
		MIN. 18 GA STEEL STUD (0.0478") 33 KSI			

INSTALLATION NOTES:

- *FOR STEEL AND ALUMINUM, ANCHOR SHALL BE OF SUFFICIENT LENGTH TO ACHIEVE 3 THREADS OF PENETRATION BEYOND THE WALL OF THE METAL.
- ONE (1) INSTALLATION ANCHOR IS REQUIRED AT EACH ANCHOR LOCATION SHOWN.
- THE NUMBER OF INSTALLATION ANCHORS DEPICTED IS THE MINIMUM NUMBER OF ANCHORS TO BE USED FOR PRODUCT INSTALLATION.
- INSTALL INDIVIDUAL INSTALLATION ANCHORS WITHIN A TOLERANCE OF ±1/2 INCH OF THE DEPICTED LOCATION IN THE ANCHOR LAYOUT DETAIL (I.E., WITHOUT CONSIDERATION OF TOLERANCES). TOLERANCES ARE NOT CUMULATIVE FROM ONE INSTALLATION ANCHOR TO THE NEXT.
- SHIM AS REQUIRED AT EACH INSTALLATION ANCHOR WITH LOAD BEARING SHIM(S). MAXIMUM ALLOWABLE SHIM STACK TO BE 1/2 INCH. SHIM WHERE SPACE OF 1/16 INCH OR GREATER OCCURS. SHIM(S) SHALL BE CONSTRUCTED OF HIGH DENSITY PLASTIC OR BETTER.
- MINIMUM EMBEDMENT AND EDGE DISTANCE EXCLUDE WALL FINISHES, INCLUDING BUT NOT LIMITED TO STUCCO, FOAM, BRICK VENEER, AND SIDING.
- INSTALLATION ANCHORS AND ASSOCIATED HARDWARE MUST BE MADE OF CORROSION RESISTANT MATERIAL OR HAVE A CORROSION RESISTANT COATING.
- INSTALLATION ANCHORS SHALL BE INSTALLED IN ACCORDANCE WITH ANCHOR MANUFACTURER'S INSTALLATION INSTRUCTIONS, AND ANCHORS SHALL NOT BE USED IN SUBSTRATES WITH STRENGTHS LESS THAN THE MINIMUM STRENGTH SPECIFIED BY THE ANCHOR MANUFACTURER.

TUBELITE®

DEPENDABLE

LEADERS IN ECO-EFFICIENT STOREFRONT, CURTAINWALL AND ENTRANCE SYSTEMS

3056 WALKER RIDGE DRIVE N.W.
WALKER, MICHIGAN 49544
PH: 800 866 2227 FX: 616 301 0008

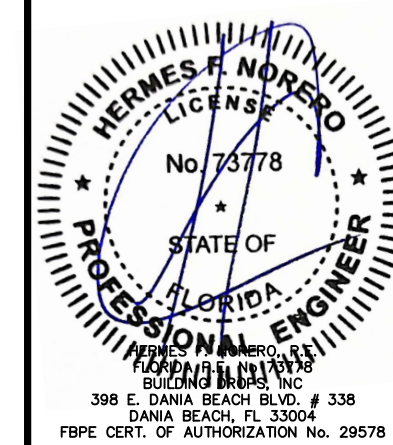
TITLE: SERIES E34000/T34000
STOREFRONT (WZ3)(IMPACT)
ANCHOR SCHEDULE AND INSTALLATION NOTES

PREPARED BY:
BUILDING DROPS, INC.
398 E. DANIA BEACH BLVD., STE. 338
DANIA BEACH, FL 33004
PH: (954)399-8478
FAX: (954)744-4738
WEB: www.buildingdrops.com



REMARKS	BY	DATE
FBC 2023 REVISION	FB	08/25/23

THE INSTALLATION DETAILS DESCRIBED HEREIN ARE GENERIC AND MAY NOT REFLECT ACTUAL CONDITIONS FOR A SPECIFIC SITE. IF SITE CONDITIONS CAUSE INSTALLATION TO DEVIATE FROM THE REQUIREMENTS DETAILED HEREIN, A LICENSED ENGINEER OR ARCHITECT SHALL PREPARE SITE SPECIFIC DOCUMENTS FOR USE WITH THIS DOCUMENT



FL #: **FL17192**

DATE: **02/24/2021**

DWG. BY: LL	CHK. BY: HFN
-----------------------	------------------------

SCALE: **NTS**

DWG. #: **TLI012**

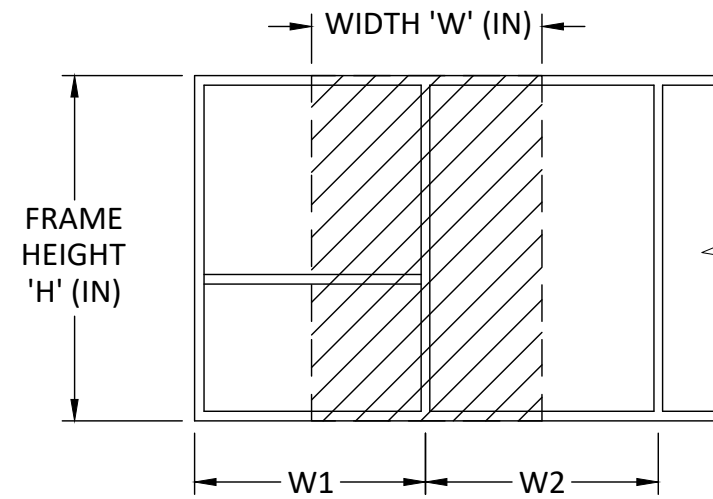
SECTION **8**

OF 10

9/5/2023 4:47 PM
z:\projects\tubelite, inc\cc-23-0824 - fbc submittal - 2023 code change\dwg\117192\w3\11012_2021-04-19.dwg

ANCHOR CAPACITY CHART

ANCHOR LOAD CAPACITY - QUANTITY OF ANCHORS CLUSTERED ON EACH SIDE OF MULLION PSF - EXT. (+) & INT. (-)										
NOMINAL DIMS. (IN.)		A			B			C		
WIDTH (W)	FRAME HEIGHT (H)	1	2	3	1	2	3	1	2	
36	87	70.0	70.0	70.0	70.0	70.0	70.0	70.0	70.0	
39		69.9	70.0	70.0	70.0	70.0	70.0	70.0	70.0	
42		66.4	70.0	70.0	70.0	70.0	70.0	70.0	70.0	
45		63.4	70.0	70.0	67.5	70.0	70.0	70.0	70.0	
48		60.9	70.0	70.0	64.8	70.0	70.0	70.0	70.0	
49		59.9	70.0	70.0	63.8	70.0	70.0	70.0	70.0	
54		56.8	70.0	70.0	60.4	70.0	70.0	70.0	70.0	
57		55.2	70.0	70.0	58.7	70.0	70.0	70.0	70.0	
60		53.8	70.0	70.0	57.3	70.0	70.0	70.0	70.0	
63		52.6	70.0	70.0	56.0	70.0	70.0	70.0	70.0	
66		51.6	70.0	70.0	54.9	70.0	70.0	69.6	70.0	
69		50.8	70.0	70.0	54.1	70.0	70.0	68.5	70.0	
36	99.75	63.1	70.0	70.0	67.2	70.0	70.0	70.0	70.0	
39		59.4	70.0	70.0	63.2	70.0	70.0	70.0	70.0	
42		56.2	70.0	70.0	59.8	70.0	70.0	70.0	70.0	
45		53.5	70.0	70.0	56.9	70.0	70.0	70.0	70.0	
48		51.1	70.0	70.0	54.4	70.0	70.0	68.9	70.0	
49		50.3	70.0	70.0	53.5	70.0	70.0	67.8	70.0	
54		47.3	70.0	70.0	50.4	70.0	70.0	63.8	70.0	
57		45.8	70.0	70.0	48.7	70.0	70.0	61.7	70.0	
60		44.5	70.0	70.0	47.3	70.0	70.0	59.9	70.0	
36		111	55.0	70.0	70.0	58.5	70.0	70.0	70.0	70.0
39			51.6	70.0	70.0	54.9	70.0	70.0	69.5	70.0
42			48.7	70.0	70.0	51.8	70.0	70.0	65.6	70.0
45	46.2		70.0	70.0	49.2	70.0	70.0	62.3	70.0	
48	44.1		70.0	70.0	46.9	70.0	70.0	59.4	70.0	
49	43.3		70.0	70.0	46.1	70.0	70.0	58.4	70.0	
54	40.6		70.0	70.0	43.2	70.0	70.0	54.7	70.0	
36	123.75		48.3	70.0	70.0	51.4	70.0	70.0	65.2	70.0
39			45.3	70.0	70.0	48.2	70.0	70.0	61.0	70.0
42			42.6	70.0	70.0	45.4	70.0	70.0	57.5	70.0
45			40.4	70.0	70.0	43.0	70.0	70.0	54.4	70.0
48			38.4	70.0	70.0	40.9	70.0	70.0	51.8	70.0
49		37.7	70.0	70.0	40.1	70.0	70.0	50.9	70.0	



MULLION: WIDTH (W) = $\frac{W1 + W2}{2}$

JAMB: WIDTH (W) = $\frac{W1}{2}$

TUBELITE®
DEPENDABLE
LEADERS IN ECO-EFFICIENT STOREFRONT,
 CURTAINWALL AND ENTRANCE SYSTEMS

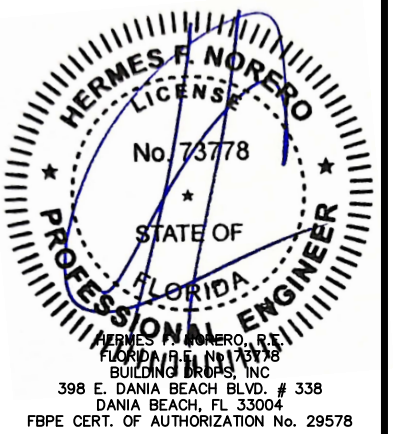
3056 WALKER RIDGE DRIVE N.W.
 WALKER, MICHIGAN 49544
 PH: 800 866 2227 FX: 616 301 0008

TITLE: SERIES E34000/T34000
 STOREFRONT
 (WZ3)(IMPACT)
 ANCHOR CAPACITY CHART

PREPARED BY:
BUILDING DROPS, INC.
398 E. DANIA BEACH BLVD., STE. 338
 DANIA BEACH, FL 33004
 PH: (954) 399-8478
 FAX: (954) 744-4738
 WEB: www.buildingdrops.com

REMARKS	BY	DATE
FBC 2023 REVISION	FB	08/25/23

THE INSTALLATION DETAILS DESCRIBED HEREIN ARE GENERIC AND MAY NOT REFLECT ACTUAL CONDITIONS FOR A SPECIFIC SITE. IF SITE CONDITIONS CAUSE INSTALLATION TO DEVIATE FROM THE REQUIREMENTS DETAILED HEREIN, A LICENSED ENGINEER OR ARCHITECT SHALL PREPARE SITE SPECIFIC DOCUMENTS FOR USE WITH THIS DOCUMENT



FL #: **FL17192**

DATE: **02/24/2021**

DWG. BY: LL	CHK. BY: HFN
-----------------------	------------------------

SCALE: **NTS**

DWG. #: **TLI012**

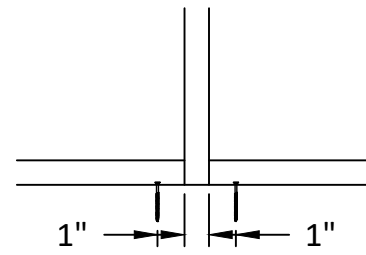
SECTION

9

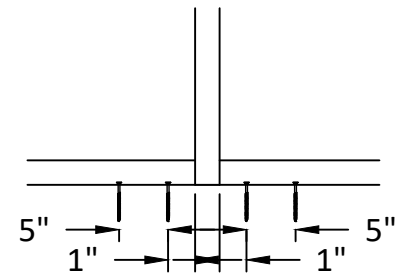
OF 10

9/5/2023 4:47 PM
 z:\projects\tubelite, inc\cc-23-0824 - fbc submittal - 2023 code change\dwg\117192\wz3\11012_2021-04-19.dwg

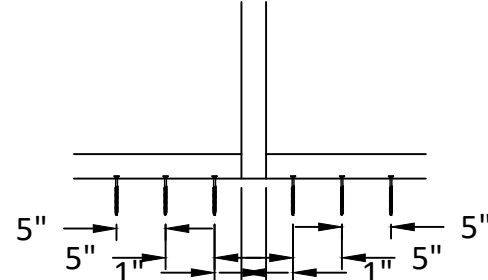
MULLION ANCHOR CONFIGURATIONS



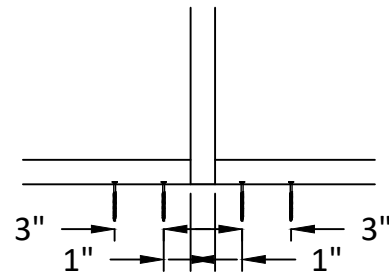
A
 ANCHOR
 10 A1, B1, C1



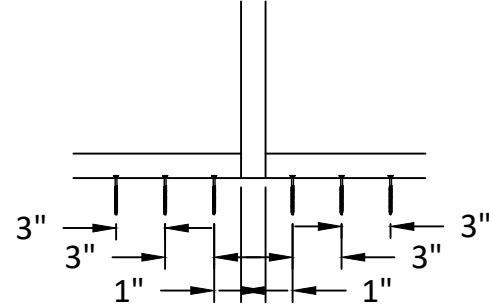
B
 ANCHOR
 10 B2



C
 ANCHOR
 10 B3



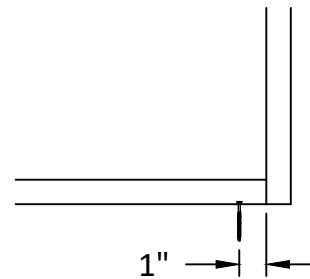
D
 ANCHOR
 10 A2, C2



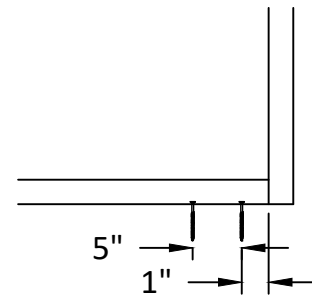
E
 ANCHOR
 10 A3, C3

NOTE:
 DEPICTED SPACING SHOWS MINIMUM
 REQUIREMENTS TO ACHIEVE FULL
 CAPACITY FOR ALL INSTALLATION
 ANCHORS REFERENCED ON ANCHOR
 SCHEDULE AND CHARTS.

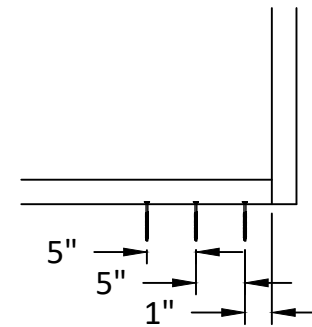
JAMB ANCHOR CONFIGURATIONS



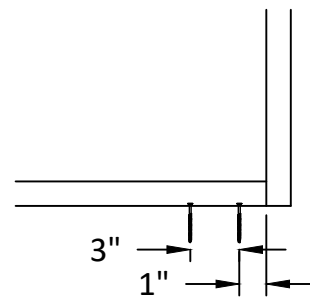
F
 ANCHOR
 10 A1, B1, C1



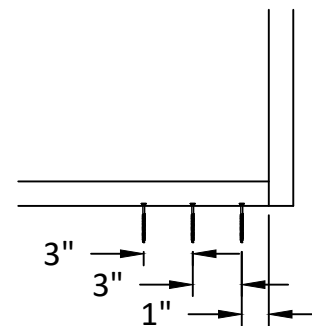
G
 ANCHOR
 10 B2



H
 ANCHOR
 10 B3



I
 ANCHOR
 10 A2, C2



J
 ANCHOR
 10 A3, C3

TUBELITE
 DEPENDABLE
 LEADERS IN ECO-EFFICIENT STOREFRONT,
 CURTAINWALL AND ENTRANCE SYSTEMS

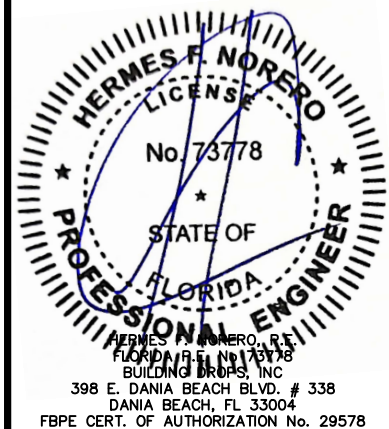
3056 WALKER RIDGE DRIVE N.W.
 WALKER, MICHIGAN 49544
 PH: 800 866 2227 FX: 616 301 0008

TITLE: SERIES E34000/T34000
 STOREFRONT
 (WZ3)/(IMPACT)
 INTERMEDIATE MULLION/JAMB
 ANCHOR CONFIGURATIONS

PREPARED BY:
B.D. BUILDING DROPS
 BUILDING DROPS, INC.
 398 E. DANIA BEACH BLVD., STE. 338
 DANIA BEACH, FL 33004
 PH: (954)399-8478
 FAX: (954)744-4738
 WEB: www.buildingdrops.com

REMARKS	BY	DATE
FBC 2023 REVISION	FB	08/25/23

THE INSTALLATION DETAILS DESCRIBED HEREIN ARE GENERIC AND MAY NOT REFLECT ACTUAL CONDITIONS FOR A SPECIFIC SITE. IF SITE CONDITIONS CAUSE INSTALLATION TO DEVIATE FROM THE REQUIREMENTS DETAILED HEREIN, A LICENSED ENGINEER OR ARCHITECT SHALL PREPARE SITE SPECIFIC DOCUMENTS FOR USE WITH THIS DOCUMENT



FL #:	FL17192
DATE:	02/24/2021
DWG. BY:	LL
CHK. BY:	HFN
SCALE:	NTS
DWG. #:	TLI012
SECTION	10
	OF 10